

LINEO 4 LINEO 5

AUTONOMOUS LIGHTING
A DURABLE SOLUTION

NOVEA
LEADER IN SOLAR STREET
LIGHTING

endurance+
TECHNOLOGY

THE MOST DURABLE AND
PERFORMING BATTERY OF
THE MARKET



0€ OF TRENCH WORK
0€ OF CABLE
0€ OF ELECTRICITY BILL
0€ OF CONSOMMATION
0€ OF SUBSCRIPTION



PARK
BACKSTREET
CROSSING
RESIDENTIAL AREA
ENTRY AND EXIT OF TOWN
PEDESTRIAN CROSSING
REST AREA
ZAC



TECHNICAL CHARACTERISTICS

LINEO 4 LINEO 5

SOLAR PANEL

Power / Area	200 Wp / 1 m ²	260 Wp / 1,6 m ²
Technology	Cristallin high efficiency	
Rear cover	Powder-coated galvanized steel	
Lifetime	> 25 years	

BATTERY

Technology	Endurance +, Lithium Iron phosphate	
Capacity	1 229 at 2 458 Wh	
Location	NOVBAT aluminium casing, IP66, fast connectors, located into the pole, accessible by access hatch	
Lifetime	> 20 years*	

LUMINAIRE

Template	LINEA 16 LED (<25W), 32 (>25W)	
Mechanical data	Cast aluminium - Plate tempered glass protection - IP66 - IK08	
Light height	5.0 m	6.0 m
Power consumption	10 - 50 W	
Luminous flux leaving	1 600 - 8 000 lm	
Light efficiency	Up to 165 lm/W	
Color temperature	3 000 K or 4 000 K // IRC > 70	
Lifetime	> 80 000 h at 80% of initial flux	

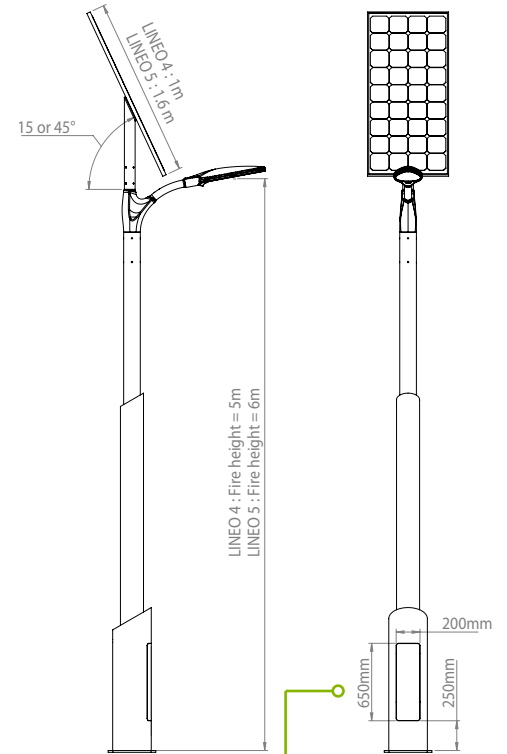
LIGHT CONTROL

Electronic NOVEMS	Designed by Novea 70W/-20°C +80°C / Efficiency 95% Expected lifetime of 20 years
Functions and lighting management	Switchoff and/or dimming during the night Presence detection (option) Informations storage Weather counter of operation Calculation of the battery charge level
Protection	Deep discharge, Overload, Temperature, Short circuit

BRACKET MAST AND STICK

Mast material	Three-piece powder-coated galvanized steel
EN40 compliant	Wind zone 28m/s (solar panel inclined at 45°) and 36m/s (solar panel inclined at 15°)

Dimensions

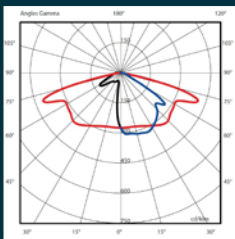


NOVBAT

RUGGED AND LONG-LASTING
Service life > 20 years*

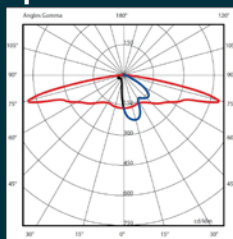
Photometry

Standard ASY11



Designed for the lighting of average road and lighting street.

Option ASY13



Designed for the pedestrian lighting street and bike paths.

ASY10 Designed for the lighting of narrow road and urban streets.
PC02 Designed for the lighting of wide road and pedestrian crossing.

Surface	Ht	30 W	40 W	50 W	Uniformity
20*5 m	5 m	23	30	38	0.41
25*6 m	5 m	17	23	28	0.37
25*6 m	6 m	15	20	25	0.39
30*7 m	6 m	12	16	20	0.37
30*7 m	7 m	11	14	18	0.38
35*8 m	7 m	8.8	12	15	0.37
40*9 m	8 m	6.8	9	11	0.36

Luminous flux expressed in middle flux.
For each application, an energetic study will be provided to validate capacities of the product (power, lighting time, autonomy).

* For the temperate area

