

LINEO 2 LINEO 3

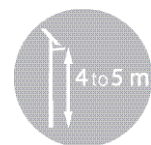
AUTONOMOUS LIGHTING
A DURABLE SOLUTION



NOVEA
LEADER IN SOLAR STREET
LIGHTING

endurance+
TECHNOLOGY

THE MOST DURABLE AND
PERFORMING BATTERY OF
THE MARKET



0€ OF TRENCH WORK
0€ OF CABLE
0€ OF ELECTRICITY BILL
0€ OF CONSOMMATION
0€ OF SUBSCRIPTION



SQUARE
FOOTPATH
BUS STOP
PEDESTRIAN CROSSING
RESIDENTIAL AREA
BIKEPATH
PARKING



TECHNICAL CHARACTERISTICS

LINEO 2 LINEO 3

SOLAR PANEL

Power / Area	60 Wp / 0,34 m ²	120 Wp / 0,7 m ²
Technology	Cristallin high efficiency	
Rear cover	ABS treated and painted	
Lifetime	> 25 years	

BATTERY

Technology	Endurance +, Lithium Iron phosphate	
Capacity	345 at 690 Wh	
Location	NOVBAT aluminium casing, IP66, fast connectors, located into the pole, accessible by access hatch	
Lifetime	> 20 years*	

LUMINAIRE

Template	LINEA 16 or 32 LED	
Mechanical data	Cast aluminium - Plate tempered glass protection - IP66 - IK08	
Light height	4.0 m	4.5 m
Power consumption	10 - 40 W	
Luminous flux leaving	1 600 - 6 600 lm	
Light efficiency	Up to 165 lm/W	
Color temperature	3 000 K or 4 000 K // IRC > 70	
Lifetime	> 80 000 h at 80% of initial flux	

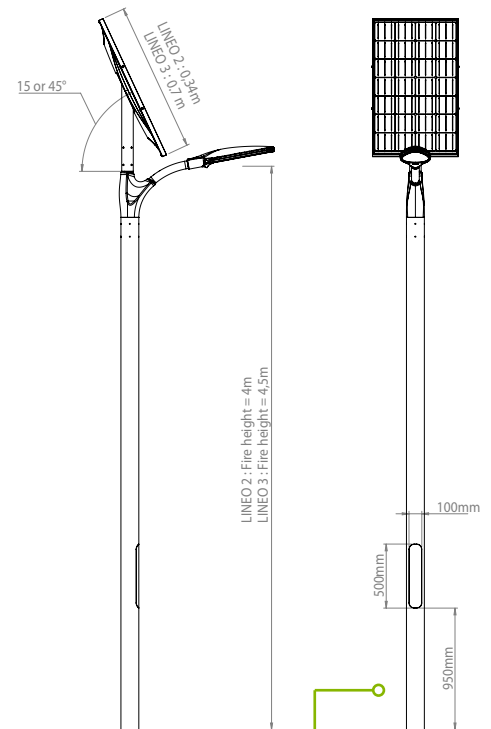
LIGHT CONTROL

Electronic NOVEMS	Designed by Novea 70W/-20°C +80°C / Efficiency 95% Expected lifetime of 20 years
Functions and lighting management	Switchoff and/or dimming during the night Presence detection (option) Informations storage Weather counter of operation Calculation of the battery charge level
Protection	Deep discharge, Overload, Temperature, Short circuit

BRACKET MAST AND STICK

Mast material	Tubular powder-coated galvanized steel
EN40 compliant	Wind zone 28m/s (solar panel inclined at 45°) and 36m/s (solar panel inclined at 15°)

Dimensions

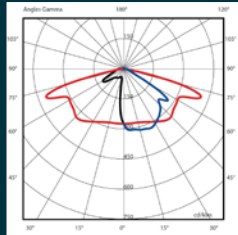


NOVBAT

RUGGED AND LONG-LASTING
Service life > 20 years*

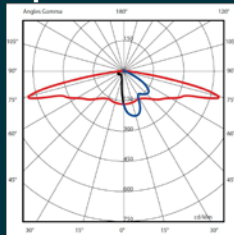
Photométrie

Standard ASY11



Designed for the lighting of average road and lighting street.

Option ASY13



Designed for the pedestrian lighting street and bike paths.

ASY10 Designed for the lighting of narrow road and urban streets.
PC02 Designed for the lighting of wide road and pedestrian crossing.

Surface	Ht	10 W	20 W	30 W	Uniformity
16*3 m	4 m	13	25	38	0.38
16*3 m	5 m	10	20	31	0.47
20*5 m	4 m	8.7	17	26	0.38
20*5 m	5 m	7.5	15	23	0.41
25*6 m	5 m	5.6	11	17	0.37
25*6 m	6 m	5	10	15	0.39
30*7 m	6 m		8	12	0.37

Luminous flux expressed in middle flux.
For each application, an energetic study will be provided to validate capacities of the product (power, lighting time, autonomy).

* For the temperate area

